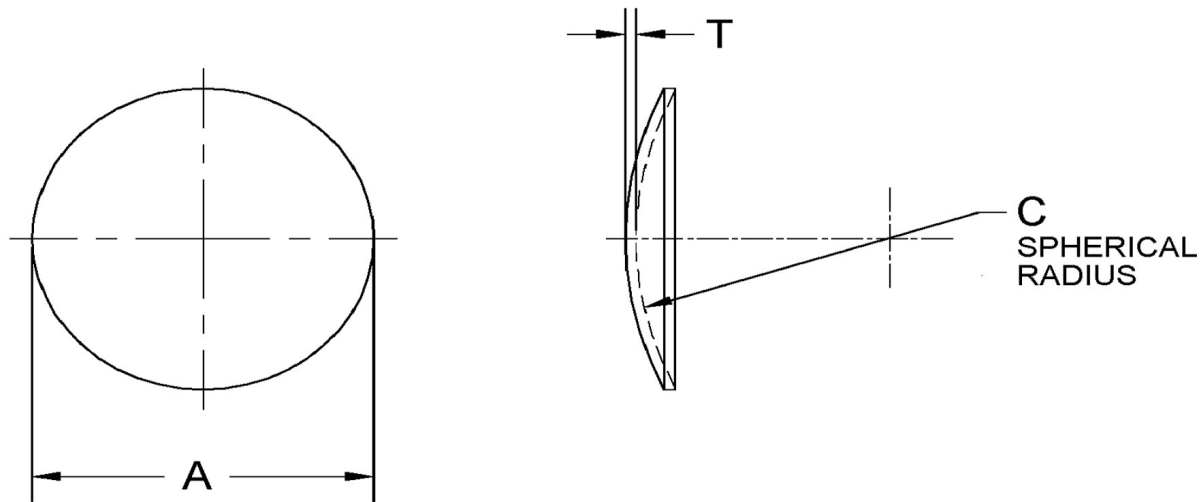


Nominal Diameter	A (Max)	A (Min)	T +/- .002	C +/- 1/64
0.144	0.145	0.143	0.016	0.125



SEASTROM MANUFACTURING CO., INC.
 456 SEASTROM STREET
 TWIN FALLS, IDAHO 83301
 (208) 737-4300 FAX (208) 734-7222

ALL INFORMATION
 COPYRIGHTED BY
 SEASTROM MFG. ©

PART NO.:	5790-132
PART NAME:	Expansion Plugs Concave
MATERIAL:	Brass
HEAT TREAT:	Please refer to Material & Finish Specifications in Engineering Resources
FINISH:	None

Dimensions in Inches