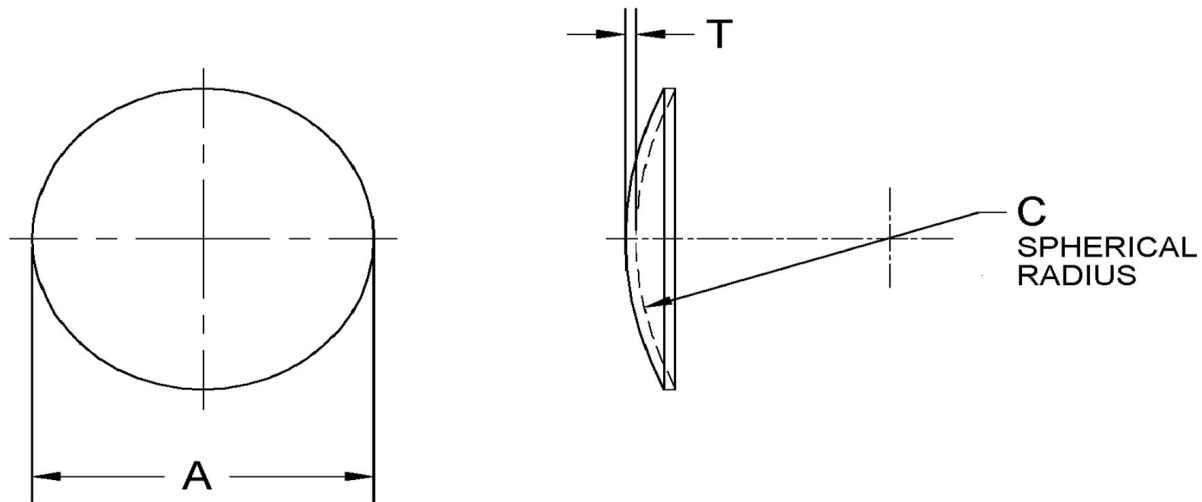


Nominal Diameter	A (Max)	A (Min)	T	C +/- 1/64
0.625	0.628	0.622	0.060	0.750



Dimensions in Inches



SEASTROM MANUFACTURING CO., INC.  
 456 SEASTROM STREET  
 TWIN FALLS, IDAHO 83301  
 (208) 737-4300 FAX (208) 734-7222

ALL INFORMATION  
 COPYRIGHTED BY  
 SEASTROM MFG. ©

<b>PART NO.:</b>	5790-11-Z3
<b>PART NAME:</b>	Expansion Plugs Concave
<b>MATERIAL:</b>	Cold Rolled Steel
<b>HEAT TREAT:</b>	Please refer to Material & Finish Specifications in Engineering Resources
<b>FINISH:</b>	Zinc Type III or V (All Dimensions Are Prior To Plating)