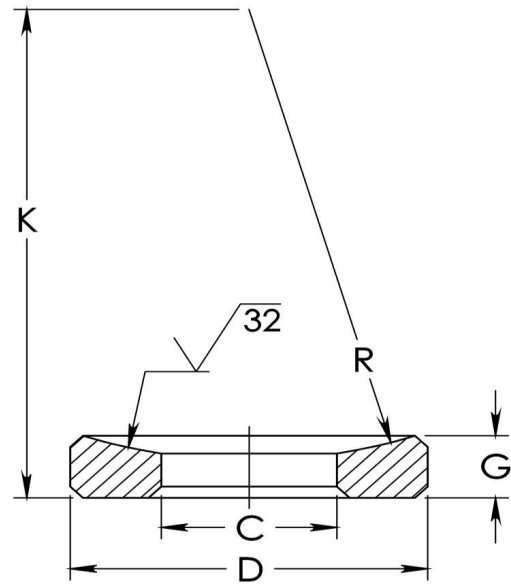


C+/-0.005	D+/-0.005	G+/-0.01	K+/-0.005	R+/-0.01	Screw Size
1.164	1.825	0.345	1.004	1.050	7/8



Dimensions in Inches



SEASTROM MANUFACTURING CO., INC.
 456 SEASTROM STREET
 TWIN FALLS, IDAHO 83301
 (208) 737-4300 FAX (208) 734-7222

ALL INFORMATION
 COPYRIGHTED BY
 SEASTROM MFG. ©

PART NO.:	5785-7-875
PART NAME:	Washers, Concave
MATERIAL:	Cold Rolled Steel
HEAT TREAT:	Please refer to Material & Finish Specifications in Engineering Resources
FINISH:	Case Hardened(550+100)HV10 (All Dimensions Are Prior To Plating)