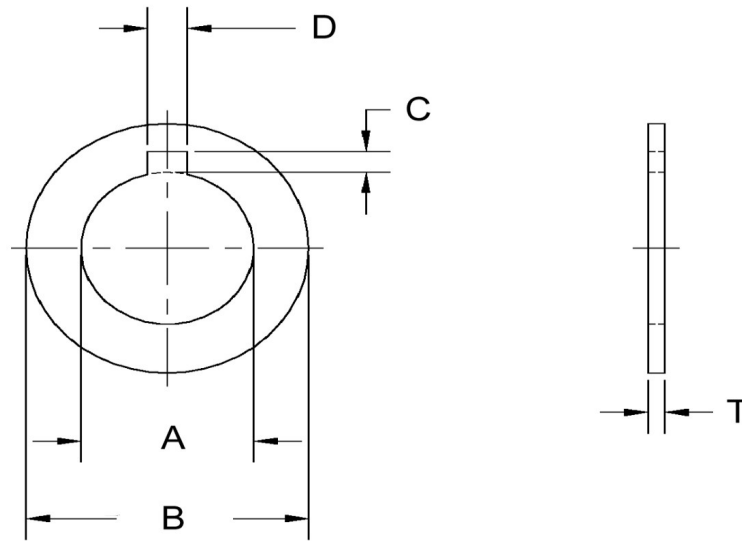


| A+/-0.005 | B+/-0.01 | C+/-0.01 | D+/-0.005 | T+0.004-0.004 |
|-----------|----------|----------|-----------|---------------|
| 2.005 | 2.750 | 0.193 | 0.505 | 0.031 |



Dimensions in Inches



SEASTROM MANUFACTURING CO., INC.
 456 SEASTROM STREET
 TWIN FALLS, IDAHO 83301
 (208) 737-4300 FAX (208) 734-7222

ALL INFORMATION
 COPYRIGHTED BY
 SEASTROM MFG. ©

| | |
|--------------------|---|
| PART NO.: | 5752-8-30 |
| PART NAME: | Washers, Tab,Key-ch, Single Internal Notch |
| MATERIAL: | Stainless Steel 301-304 |
| HEAT TREAT: | Please refer to Material & Finish Specifications in Engineering Resources |
| FINISH: | None |