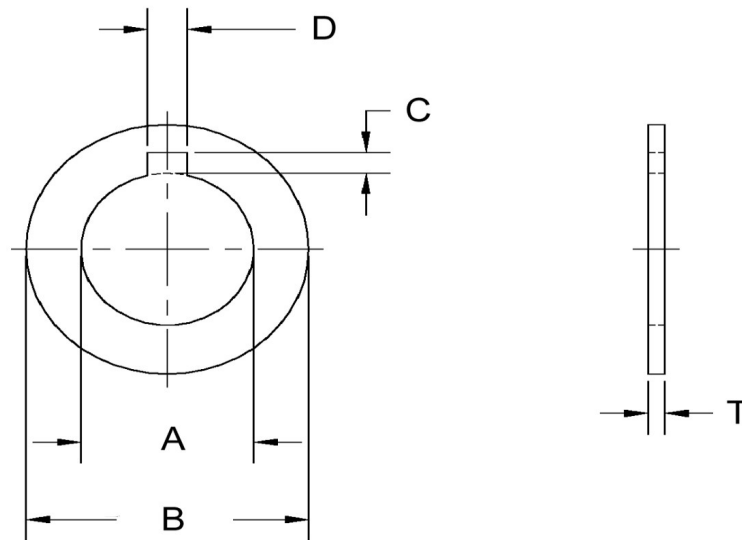


A+/- .005	B+/- .01	C+/- .01	D+/- .005	T+/- .0002
1.255	1.750	0.130	0.317	0.002



SEASTROM MANUFACTURING CO., INC.  
 456 SEASTROM STREET  
 TWIN FALLS, IDAHO 83301  
 (208) 737-4300 FAX (208) 734-7222

ALL INFORMATION  
 COPYRIGHTED BY  
 SEASTROM MFG. ©

<b>PART NO.:</b>	5752-6-2
<b>PART NAME:</b>	Washers, Tab, Key-ch, Single Internal Notch
<b>MATERIAL:</b>	Stainless Steel 301-304
<b>HEAT TREAT:</b>	Please refer to Material & Finish Specifications in Engineering Resources
<b>FINISH:</b>	None

Dimensions in Inches