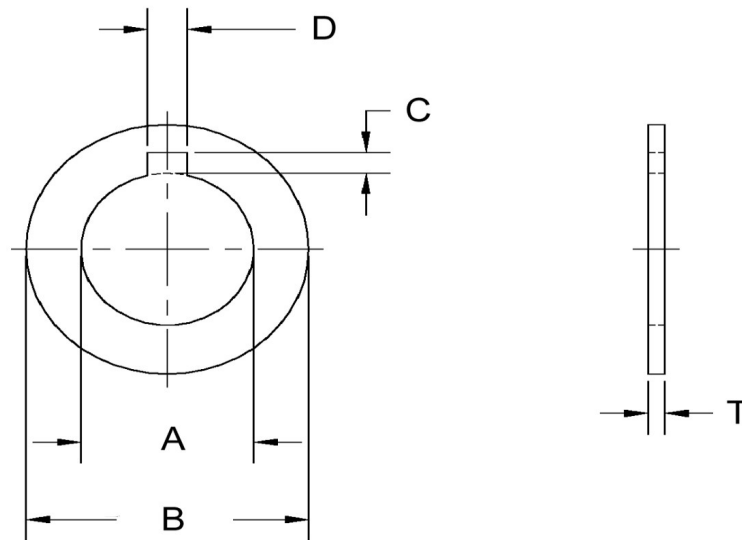


| A+/-0.005 | B+/-0.01 | C+/-0.01 | D+/-0.005 | T+/-0.0035 |
|-----------|----------|----------|-----------|------------|
| 1.005     | 1.500    | 0.099    | 0.255     | 0.062      |



SEASTROM MANUFACTURING CO., INC.  
 456 SEASTROM STREET  
 TWIN FALLS, IDAHO 83301  
 (208) 737-4300 FAX (208) 734-7222

ALL INFORMATION  
 COPYRIGHTED BY  
 SEASTROM MFG. ©

|                    |   |
|--------------------|---|
| <b>PART NO.:</b>   | 5752-5-60   |
| <b>PART NAME:</b>  | Washers, Tab, Key-way, Single Internal Notch                              |
| <b>MATERIAL:</b>   | Stainless Steel 301-304   |
| <b>HEAT TREAT:</b> | Please refer to Material & Finish Specifications in Engineering Resources |
| <b>FINISH:</b>     | None  |

Dimensions in Inches