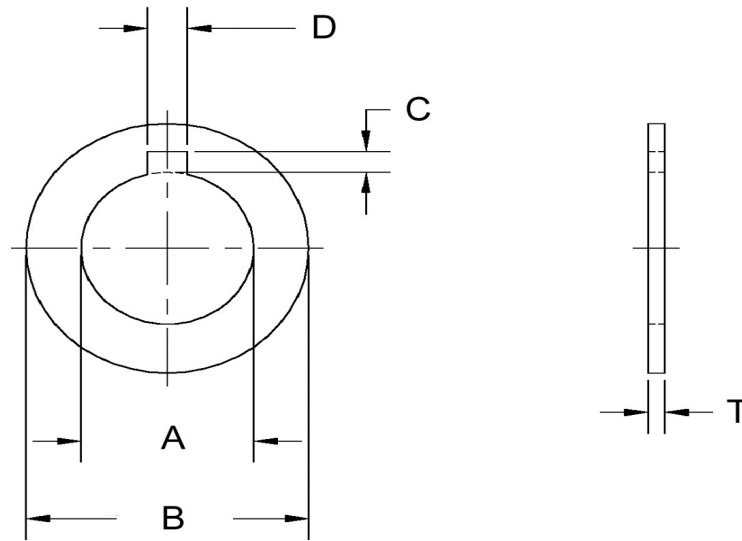


A+/- .005	B+/- .01	C+/- .01	D+/- .005	T+/- .001
0.265	0.625	0.110	0.093	0.010



Dimensions in Inches



SEASTROM MANUFACTURING CO., INC.
 456 SEASTROM STREET
 TWIN FALLS, IDAHO 83301
 (208) 737-4300 FAX (208) 734-7222

ALL INFORMATION
 COPYRIGHTED BY
 SEASTROM MFG. ©

PART NO.:	5750-4
PART NAME:	Washers, Tab, Key-way, Single Internal Notch
MATERIAL:	Cold Rolled Steel
HEAT TREAT:	Please refer to Material & Finish Specifications in Engineering Resources
FINISH:	None