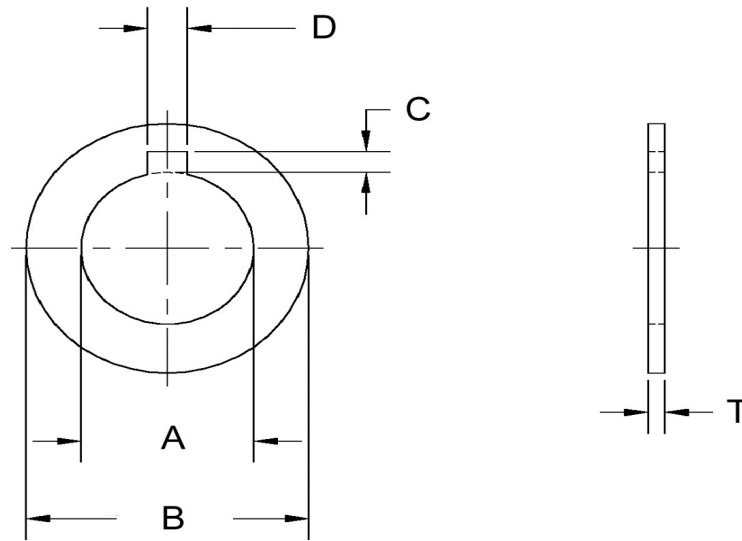


A+/-0.005	B+/-0.01	C+/-0.01	D+/-0.005	T+/-0.005
1.500	2	0.062	0.125	0.060



SEASTROM MANUFACTURING CO., INC.
 456 SEASTROM STREET
 TWIN FALLS, IDAHO 83301
 (208) 737-4300 FAX (208) 734-7222

ALL INFORMATION
 COPYRIGHTED BY
 SEASTROM MFG. ©

PART NO.:	5750-3
PART NAME:	Washers, Tab, Key-way, Single Internal Notch
MATERIAL:	Cold Rolled Steel
HEAT TREAT:	Please refer to Material & Finish Specifications in Engineering Resources
FINISH:	None

Dimensions in Inches