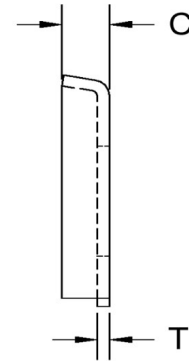
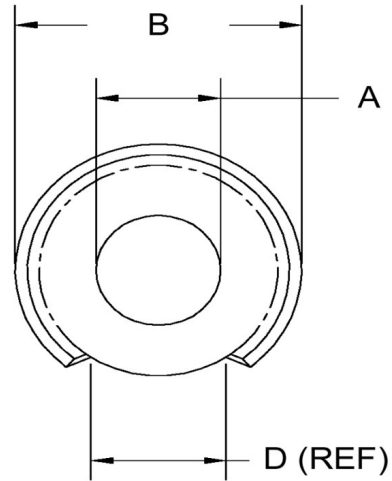


A+/-0.01	B+/-0.01	C+/-0.01	D Ref	T+/-0.003	Screw Size
0.200	0.507	0.087	0.339	0.025	10



Dimensions in Inches



SEASTROM MANUFACTURING CO., INC.
 456 SEASTROM STREET
 TWIN FALLS, IDAHO 83301
 (208) 737-4300 FAX (208) 734-7222

ALL INFORMATION
 COPYRIGHTED BY
 SEASTROM MFG. ©

PART NO.:	5737-4
PART NAME:	Washers, Terminal Cup
MATERIAL:	Brass
HEAT TREAT:	Please refer to Material & Finish Specifications in Engineering Resources
FINISH:	None