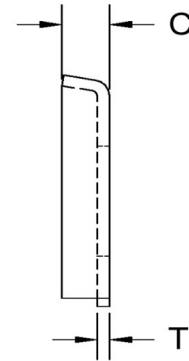
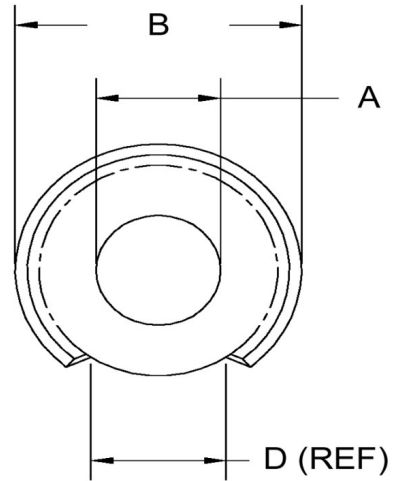


| A+/-0.01 | B+/-0.01 | C+/-0.01 | D Ref | T+/-0.003 | Screw Size |
|----------|----------|----------|-------|-----------|------------|
| 0.168 | 0.453 | 0.076 | 0.301 | 0.020 | 8 |



Dimensions in Inches



SEASTROM MANUFACTURING CO., INC.
 456 SEASTROM STREET
 TWIN FALLS, IDAHO 83301
 (208) 737-4300 FAX (208) 734-7222

ALL INFORMATION
 COPYRIGHTED BY
 SEASTROM MFG. ©

| | |
|--------------------|---|
| PART NO.: | 5737-2 |
| PART NAME: | Washers, Terminal Cup |
| MATERIAL: | Brass |
| HEAT TREAT: | Please refer to Material & Finish Specifications in Engineering Resources |
| FINISH: | None |