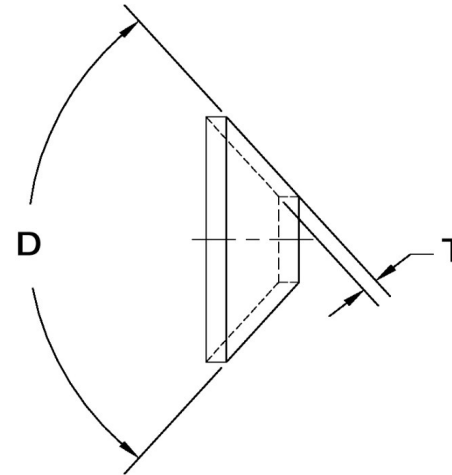
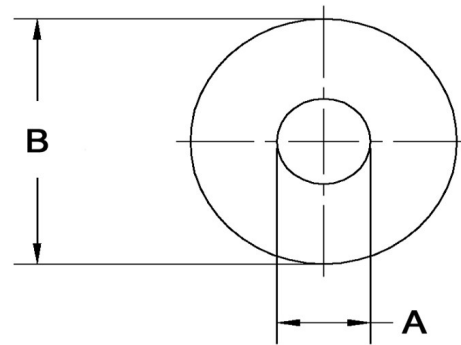


| A+/-0.005 | D°+/-2 | B+/-0.01 | T+/-0.0055 | Screw Size |
|-----------|--------|----------|------------|------------|
| 0.261 | 82 | 0.507 | 0.032 | 1/4 |



Dimensions in Inches



SEASTROM MANUFACTURING CO., INC.
 456 SEASTROM STREET
 TWIN FALLS, IDAHO 83301
 (208) 737-4300 FAX (208) 734-7222

ALL INFORMATION
 COPYRIGHTED BY
 SEASTROM MFG. ©

| | |
|--------------------|---|
| PART NO.: | 5736-28 |
| PART NAME: | Washers, Counter Sunk2 |
| MATERIAL: | Aluminum |
| HEAT TREAT: | Please refer to Material & Finish Specifications in Engineering Resources |
| FINISH: | None |