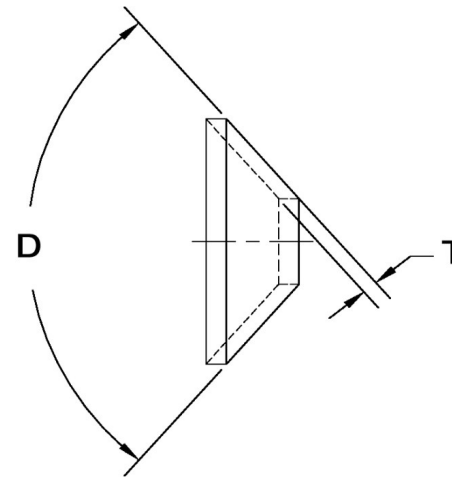
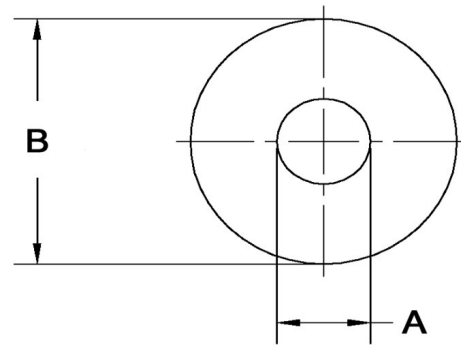


| A+/-0.005 | D°+/-2 | B+/-0.01 | T+/-0.002 | Screw Size |
|-----------|--------|----------|-----------|------------|
| 0.145     | 100    | 0.279    | 0.010     | 6          |



Dimensions in Inches



SEASTROM MANUFACTURING CO., INC.  
 456 SEASTROM STREET  
 TWIN FALLS, IDAHO 83301  
 (208) 737-4300 FAX (208) 734-7222

ALL INFORMATION  
 COPYRIGHTED BY  
 SEASTROM MFG. ©

|                    |   |
|--------------------|---|
| <b>PART NO.:</b>   | 5736-16   |
| <b>PART NAME:</b>  | Washers, Counter Sunk2  |
| <b>MATERIAL:</b>   | Aluminum  |
| <b>HEAT TREAT:</b> | Please refer to Material & Finish Specifications in Engineering Resources |
| <b>FINISH:</b>     | None  |