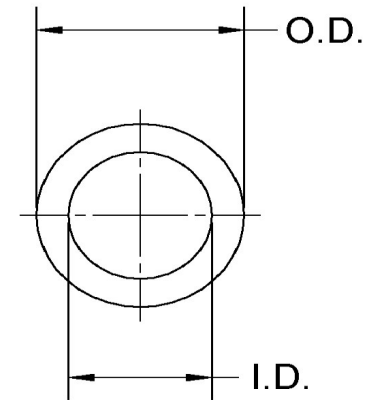
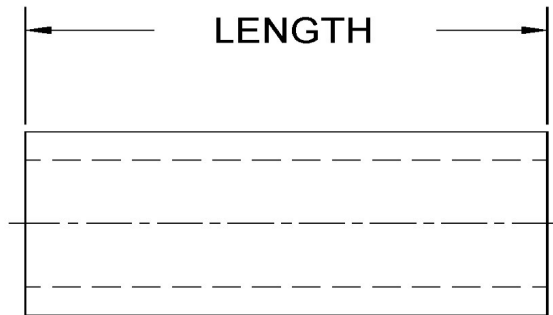


ID+/-0.005	OD+/-0.015	L+/-0.015	Screw Size
0.115	0.250	1.250	4



Dimensions in Inches



SEASTROM MANUFACTURING CO., INC.
 456 SEASTROM STREET
 TWIN FALLS, IDAHO 83301
 (208) 737-4300 FAX (208) 734-7222

ALL INFORMATION
 COPYRIGHTED BY
 SEASTROM MFG. ©

PART NO.:	5693-64
PART NAME:	Stand Off Spacers
MATERIAL:	Nylon
HEAT TREAT:	Please refer to Material & Finish Specifications in Engineering Resources
FINISH:	None