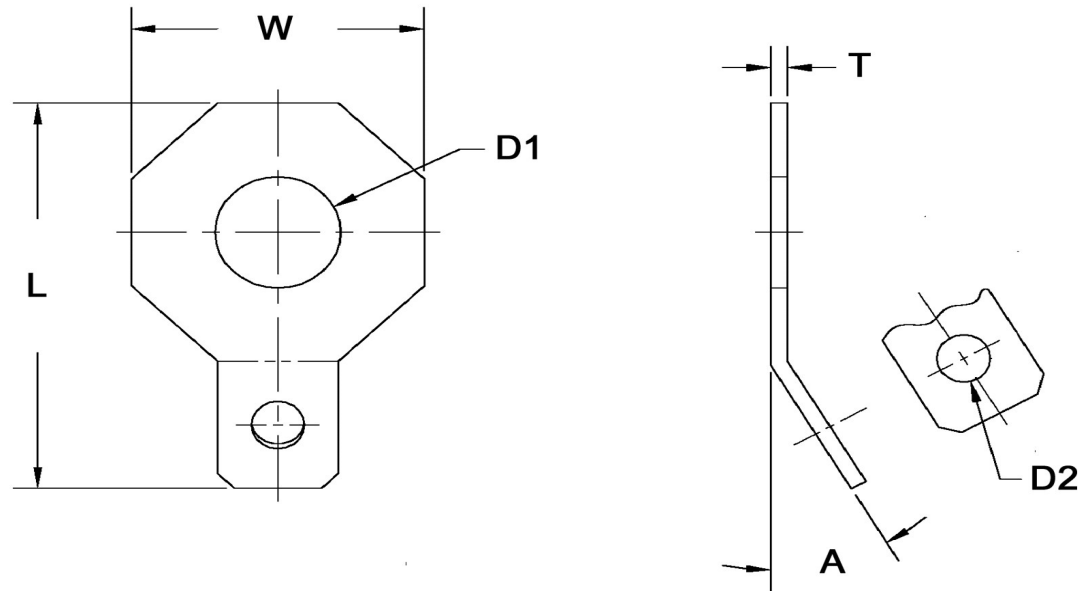


L+/-0.02	W+/-0.01	A (Formed Angle °)	D1+/-0.005	D2+/-0.005	T+/-0.0025	Screw Size
0.870	0.691	60	0.255	0.092	0.016	1/4



SEASTROM MANUFACTURING CO., INC.
 456 SEASTROM STREET
 TWIN FALLS, IDAHO 83301
 (208) 737-4300 FAX (208) 734-7222

ALL INFORMATION
 COPYRIGHTED BY
 SEASTROM MFG. ©

PART NO.:	5482-4
PART NAME:	Solder Lugs 1
MATERIAL:	Brass
HEAT TREAT:	Please refer to Material & Finish Specifications in Engineering Resources
FINISH:	Bright Tin (All Dimensions Are Prior To Plating)

Dimensions in Inches