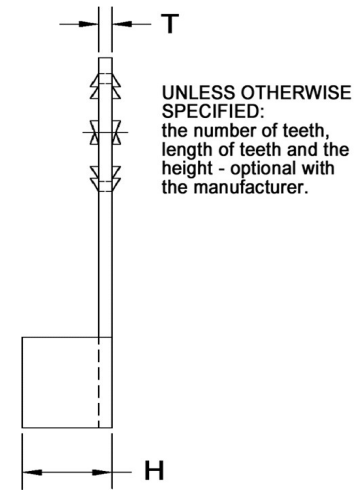
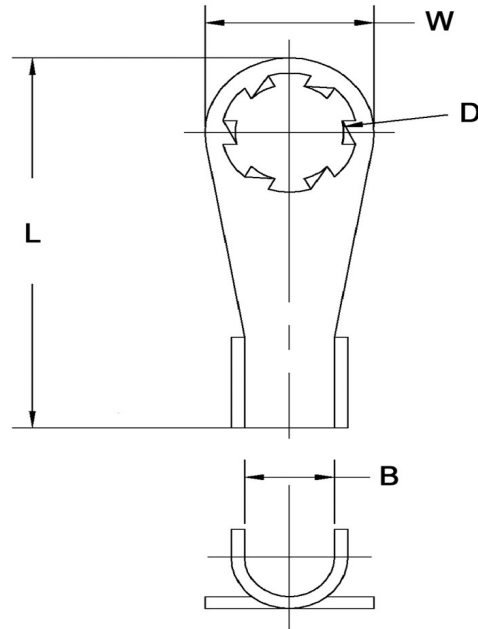


B+/-0.016	D+/-0.005	L+/-0.01	W+/-0.01	H+/-0.016	T+/-0.0013	Wire Size	Screw Size
0.125	0.200	0.875	0.500	0.160	0.018	12-20	8



SEASTROM MANUFACTURING CO., INC.
 456 SEASTROM STREET
 TWIN FALLS, IDAHO 83301
 (208) 737-4300 FAX (208) 734-7222

ALL INFORMATION
 COPYRIGHTED BY
 SEASTROM MFG. ©

PART NO.:	5465-2C
PART NAME:	Solder Lugs 2
MATERIAL:	Copper
HEAT TREAT:	Please refer to Material & Finish Specifications in Engineering Resources
FINISH:	Bright Tin (All Dimensions Are Prior To Plating)

Dimensions in Inches