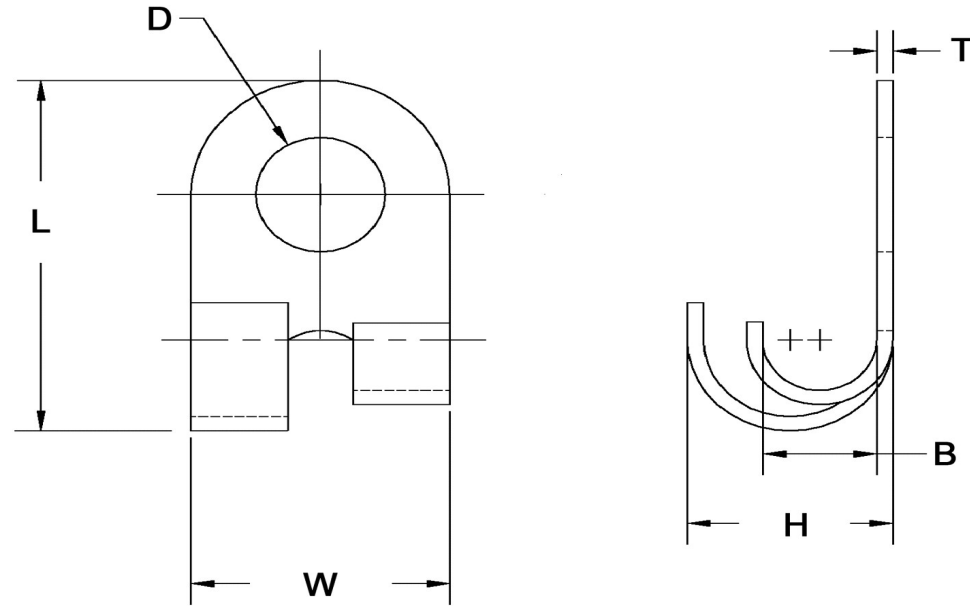


B+/- .106	D+/- .005	L+/- .01	W+/- .01	H+/- .016	T+/- .002	Wire Size	Screw Size
0.227	0.267	1.065	0.625	0.380	0.040	6-8	1/4



SEASTROM MANUFACTURING CO., INC.
 456 SEASTROM STREET
 TWIN FALLS, IDAHO 83301
 (208) 737-4300 FAX (208) 734-7222

ALL INFORMATION
 COPYRIGHTED BY
 SEASTROM MFG. ©

PART NO.:	5460-3C-T2
PART NAME:	Solder Lugs 2
MATERIAL:	Copper
HEAT TREAT:	Please refer to Material & Finish Specifications in Engineering Resources
FINISH:	Tin Dip (All Dimensions Are Prior To Plating)

Dimensions in Inches