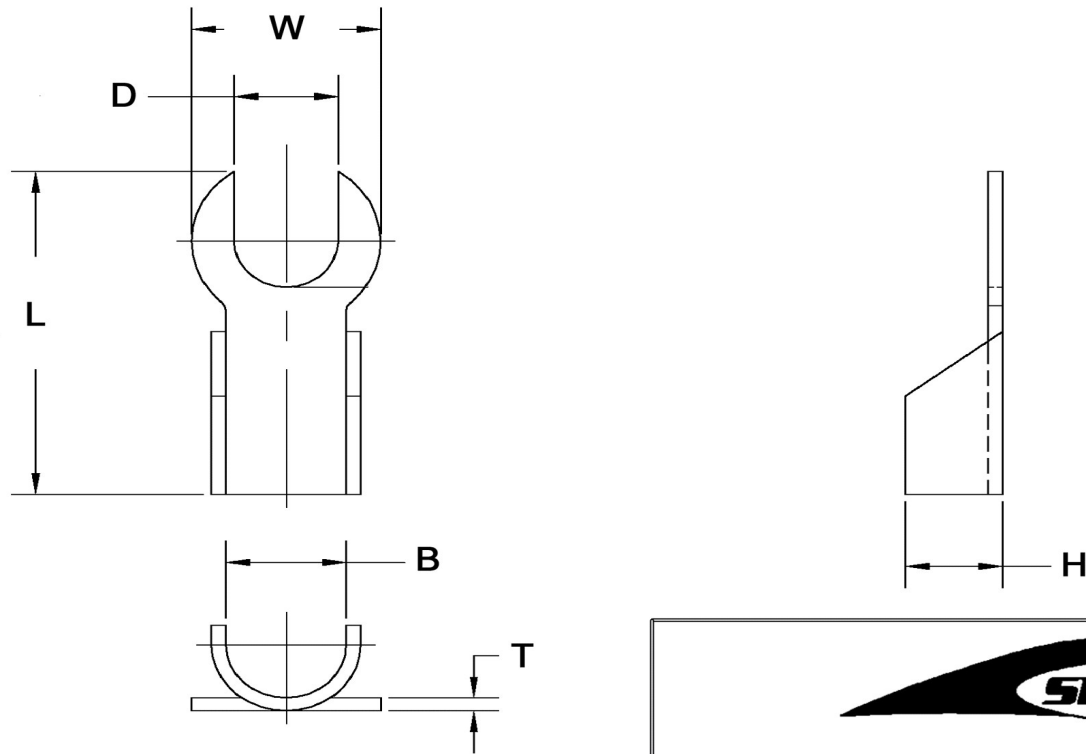


B+/- .106	D+/- .005	L+/- .01	W+/- .01	H+/- .016	T+/- .0013	Wire Size	Screw Size
0.097	0.125	0.530	0.235	0.112	0.020	12	4



Dimensions in Inches



SEASTROM MANUFACTURING CO., INC.
 456 SEASTROM STREET
 TWIN FALLS, IDAHO 83301
 (208) 737-4300 FAX (208) 734-7222

ALL INFORMATION
 COPYRIGHTED BY
 SEASTROM MFG. ©

PART NO.:	5457-1C-Z3
PART NAME:	Solder Lugs 2
MATERIAL:	Copper
HEAT TREAT:	Please refer to Material & Finish Specifications in Engineering Resources
FINISH:	Zinc Type III (All Dimensions Are Prior To Plating)