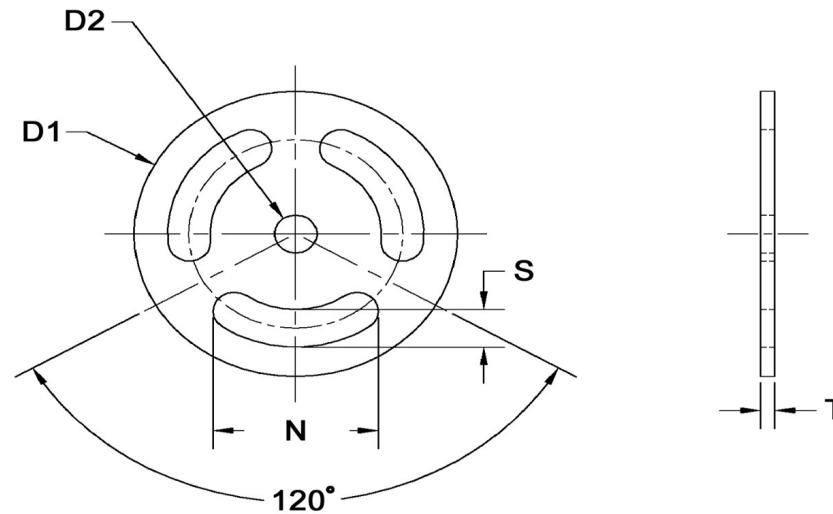


D1+/-0.01	D2+/-0.005	S+/-0.015	N+/-0.015	T+/-0.0035	Screw Size
0.750	0.221	0.080	0.433	0.032	10



Dimensions in Inches



SEASTROM MANUFACTURING CO., INC.
 456 SEASTROM STREET
 TWIN FALLS, IDAHO 83301
 (208) 737-4300 FAX (208) 734-7222

ALL INFORMATION
 COPYRIGHTED BY
 SEASTROM MFG. ©

PART NO.:	5440-2
PART NAME:	Solder Lugs 1
MATERIAL:	Brass
HEAT TREAT:	Please refer to Material & Finish Specifications in Engineering Resources
FINISH:	Bright Tin (All Dimensions Are Prior To Plating)