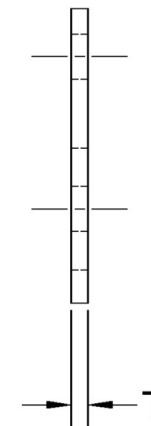
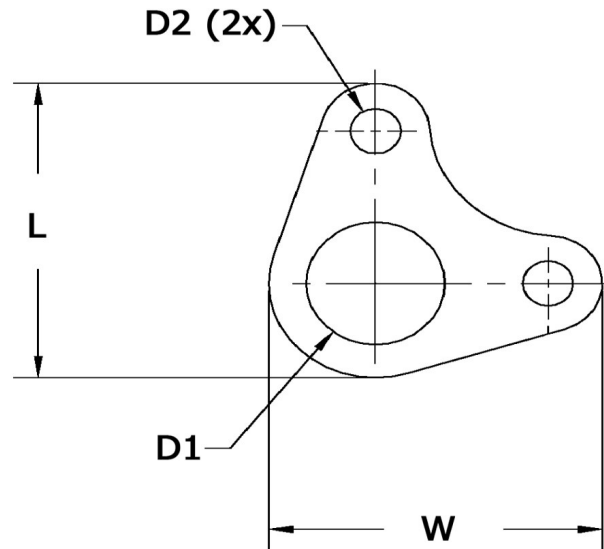


L+/-0.01	W+/-0.01	D1+/-0.005	D2+/-0.005	T+/-0.0025	Screw Size
0.520	0.520	0.215	0.105	0.016	10



Dimensions in Inches



SEASTROM MANUFACTURING CO., INC.  
 456 SEASTROM STREET  
 TWIN FALLS, IDAHO 83301  
 (208) 737-4300 FAX (208) 734-7222

ALL INFORMATION  
 COPYRIGHTED BY  
 SEASTROM MFG. ©

<b>PART NO.:</b>	5401-1
<b>PART NAME:</b>	Solder Lugs 1
<b>MATERIAL:</b>	Brass
<b>HEAT TREAT:</b>	Please refer to Material & Finish Specifications in Engineering Resources
<b>FINISH:</b>	Bright Tin (All Dimensions Are Prior To Plating)