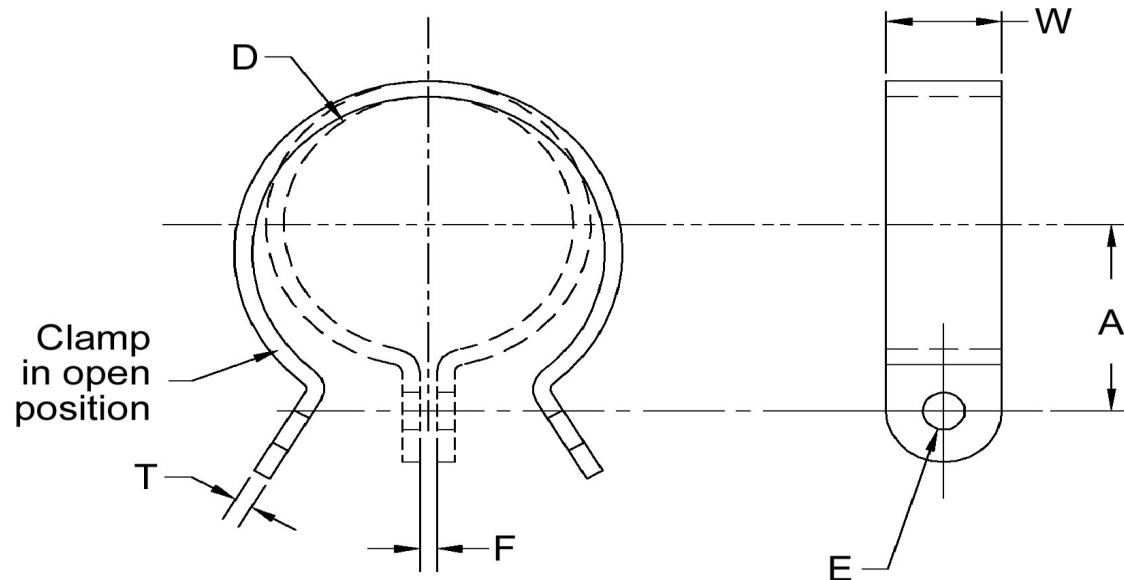


| D+/-0.015 | W+/-0.01 | T+/-0.004 | A+/-0.03 | E+/-0.005 | F+/-0.06 |
|-----------|----------|-----------|----------|-----------|----------|
| 1 | 0.375 | 0.030 | 0.750 | 0.201 | 0.125 |



NOTE:

CLAMPS ARE SUPPLIED IN THE OPEN POSITION. ALL DIMENSIONS TO BE MEASURED WITH DUMMY COMPONENT IN PLACE AND CLAMP CLOSED.

Dimensions in Inches



SEASTROM MANUFACTURING CO., INC.
 456 SEASTROM STREET
 TWIN FALLS, IDAHO 83301
 (208) 737-4300 FAX (208) 734-7222

ALL INFORMATION
 COPYRIGHTED BY
 SEASTROM MFG. ©

| | |
|--------------------|---|
| PART NO.: | 5315-100-3 |
| PART NAME: | Clamps, Tube |
| MATERIAL: | Stainless Steel |
| HEAT TREAT: | Please refer to Material & Finish Specifications in Engineering Resources |
| FINISH: | None |