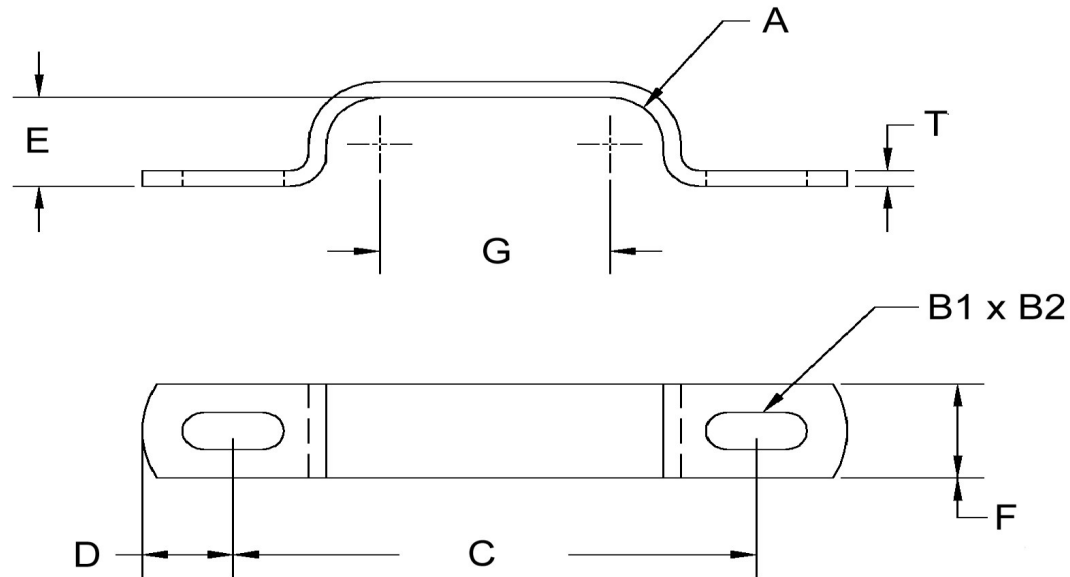


| A (Rad)+/-0.01 | B1+/-0.005 | B2+/-0.005 | C     | D+/-0.01 | E+/-0.02 | F+/-0.01 | G+/-0.016 | T+/-0.003 |
|----------------|------------|------------|-------|----------|----------|----------|-----------|-----------|
| 0.218          | 0.180      | 0.260      | 1.563 | 0.290    | 0.437    | 0.375    | 0.436     | 0.030     |



SEASTROM MANUFACTURING CO., INC.  
 456 SEASTROM STREET  
 TWIN FALLS, IDAHO 83301  
 (208) 737-4300 FAX (208) 734-7222

ALL INFORMATION  
 COPYRIGHTED BY  
 SEASTROM MFG. ©

|                    |   |
|--------------------|---|
| <b>PART NO.:</b>   | 5310-9  |
| <b>PART NAME:</b>  | Clamps, Retaining   |
| <b>MATERIAL:</b>   | Cold Rolled Steel   |
| <b>HEAT TREAT:</b> | Please refer to Material & Finish Specifications in Engineering Resources |
| <b>FINISH:</b>     | None  |

Dimensions in Inches