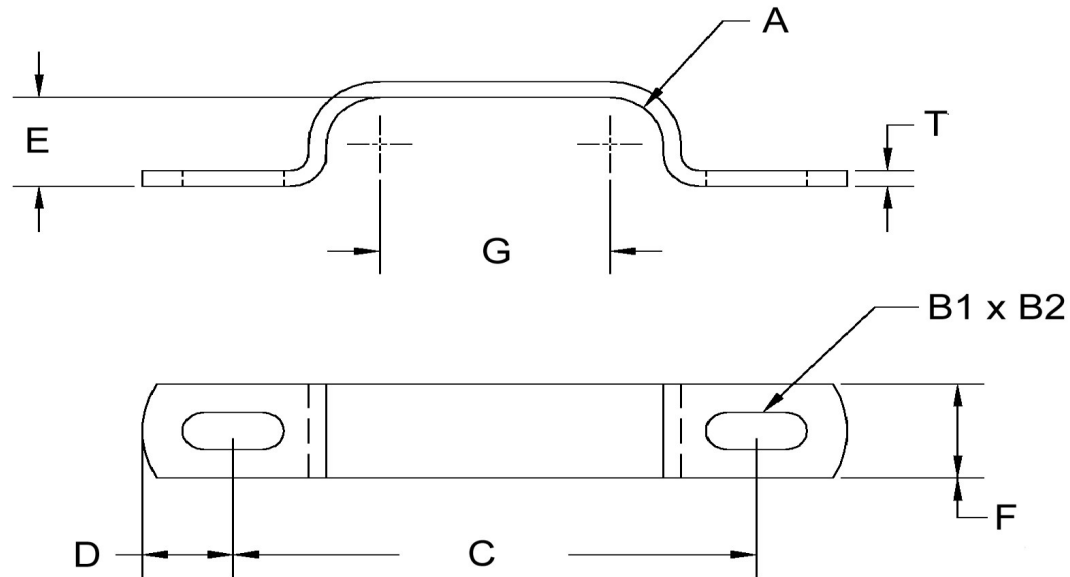


| A (Rad)+/-0.01 | B1+/-0.005 | B2+/-0.005 | C | D+/-0.01 | E+/-0.02 | F+/-0.01 | G+/-0.016 | T+/-0.003 |
|----------------|------------|------------|-------|----------|----------|----------|-----------|-----------|
| 0.344 | 0.205 | 0.283 | 2.752 | 0.290 | 0.688 | 0.500 | 1.375 | 0.030 |



SEASTROM MANUFACTURING CO., INC.
 456 SEASTROM STREET
 TWIN FALLS, IDAHO 83301
 (208) 737-4300 FAX (208) 734-7222

ALL INFORMATION
 COPYRIGHTED BY
 SEASTROM MFG. ©

| | |
|--------------------|---|
| PART NO.: | 5310-18 |
| PART NAME: | Clamps, Retaining |
| MATERIAL: | Cold Rolled Steel |
| HEAT TREAT: | Please refer to Material & Finish Specifications in Engineering Resources |
| FINISH: | None |

Dimensions in Inches