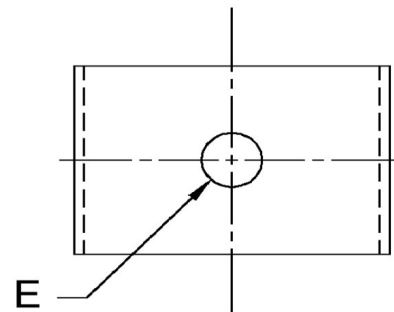
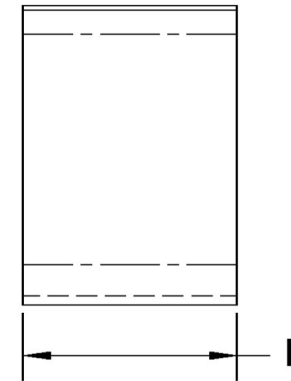
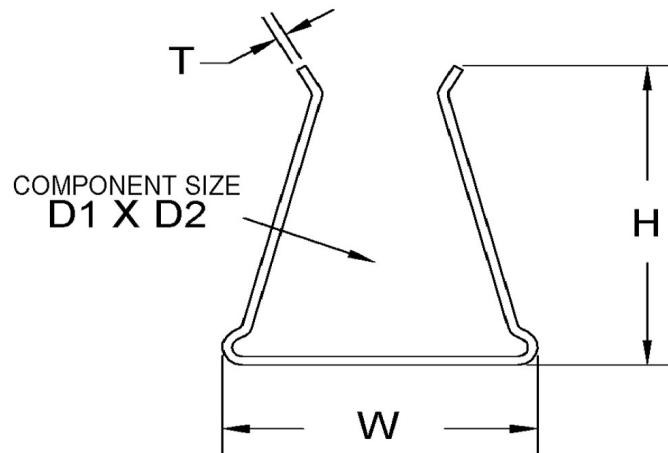


| D1 (Comp Size) \pm 0.015 | D2 (Comp Size) \pm 0.015 | L \pm 0.01 | T (Stk) \pm 0.001 | H (Max) | W (Max) | E \pm 0.003 |
|----------------------------|----------------------------|--------------|---------------------|---------|---------|---------------|
| 0.312 | 0.500 | 0.187 | 0.010 | 0.580 | 0.435 | 0.102 |



NOTE:

ALL DIMENSIONS ARE TO BE MEASURED WITH THE SPRING CLIP SECURED TO A FLAT SURFACE AND A COMPONENT OF THE NOMINAL DIAMETER IN PLACE.



SEASTROM MANUFACTURING CO., INC.
 456 SEASTROM STREET
 TWIN FALLS, IDAHO 83301
 (208) 737-4300 FAX (208) 734-7222

ALL INFORMATION
 COPYRIGHTED BY
 SEASTROM MFG. ©

| | |
|--------------------|---|
| PART NO.: | 4563-31X50-18-1 |
| PART NAME: | Spring Clips 19 |
| MATERIAL: | Beryllium Copper |
| HEAT TREAT: | Please refer to Material & Finish Specifications in Engineering Resources |
| FINISH: | None |

Dimensions in Inches