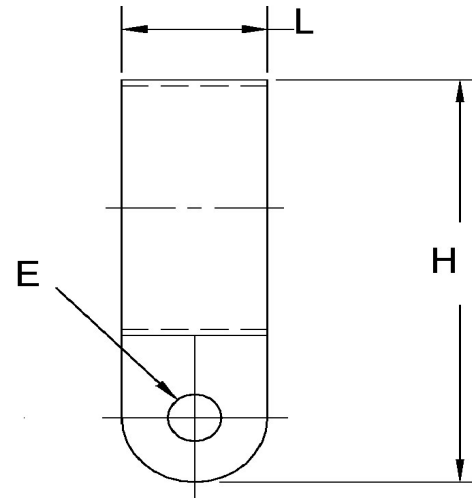
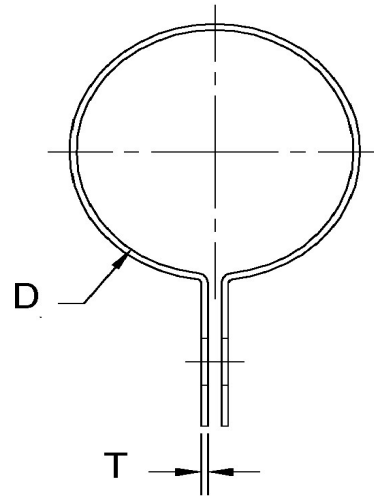


D+/-0.015	L+/-0.01	T (Stk)+/-0.002	H+/-0.02	Y+/-0.02	E+/-0.003
0.875	0.375	0.032	1.375	0.187	0.156



**NOTE:**

ALL DIMENSIONS ARE TO BE MEASURED WITH THE SPRING CLIP SECURED TO A FLAT SURFACE AND A COMPONENT OF THE NOMINAL DIAMETER IN PLACE.

Dimensions in Inches



SEASTROM MANUFACTURING CO., INC.  
 456 SEASTROM STREET  
 TWIN FALLS, IDAHO 83301  
 (208) 737-4300 FAX (208) 734-7222

ALL INFORMATION  
 COPYRIGHTED BY  
 SEASTROM MFG. ©

<b>PART NO.:</b>	4518-87-37-2
<b>PART NAME:</b>	Spring Clips 33
<b>MATERIAL:</b>	Spring Steel
<b>HEAT TREAT:</b>	Please refer to Material & Finish Specifications in Engineering Resources
<b>FINISH:</b>	None