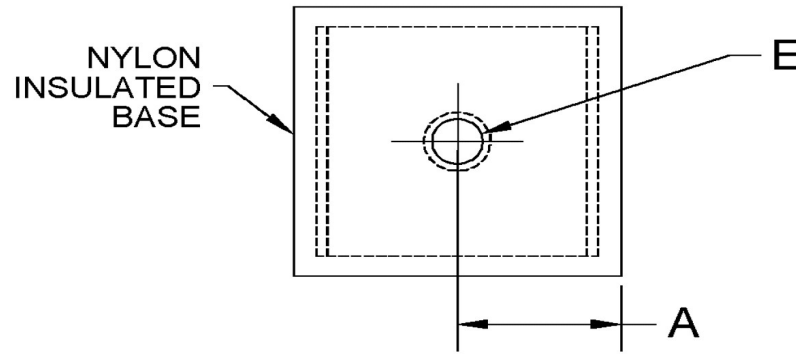
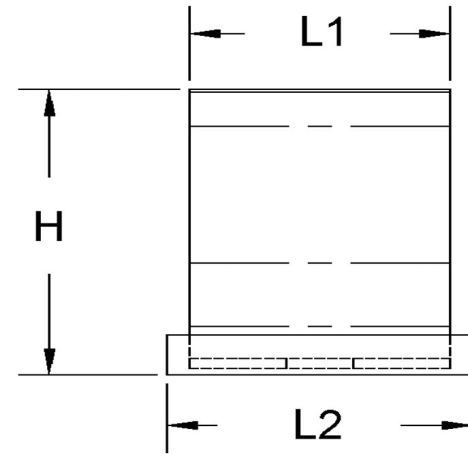
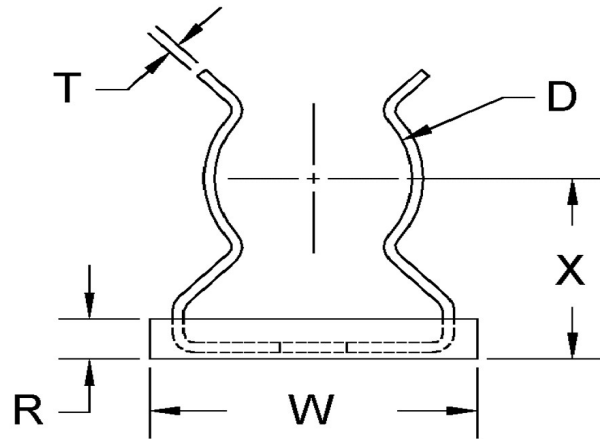


D $\pm$ -.015	L1 $\pm$ -.01	L2 $\pm$ -.01	T (Stk)	H (Max)	W (Base Max)	X $\pm$ -.03	E $\pm$ -.005	A $\pm$ -.01	R (Max)
0.230	0.375	0.437	0.016	0.485	0.470	0.300	0.100	0.218	0.125



ALL DIMENSIONS ARE TO BE MEASURED WITH THE SPRING CLIP SECURED TO A FLAT SURFACE AND A COMPONENT OF THE NOMINAL DIAMETER IN PLACE.



SEASTROM MANUFACTURING CO., INC.  
 456 SEASTROM STREET  
 TWIN FALLS, IDAHO 83301  
 (208) 737-4300 FAX (208) 734-7222

ALL INFORMATION  
 COPYRIGHTED BY  
 SEASTROM MFG. ©

<b>PART NO.:</b>	4512-23-43-1-S
<b>PART NAME:</b>	Spring Clips 29
<b>MATERIAL:</b>	Beryllium Copper
<b>HEAT TREAT:</b>	Please refer to Material & Finish Specifications in Engineering Resources
<b>FINISH:</b>	Silver

Dimensions in Inches