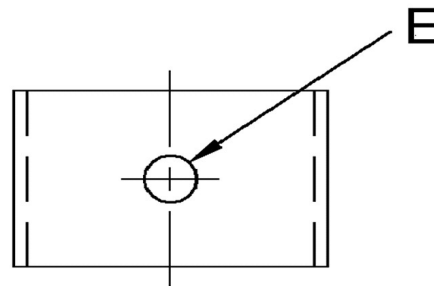
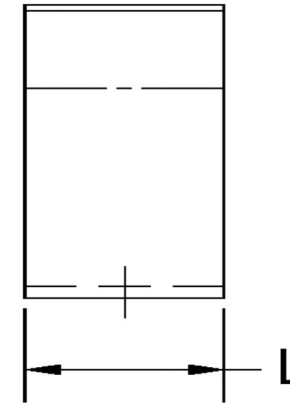
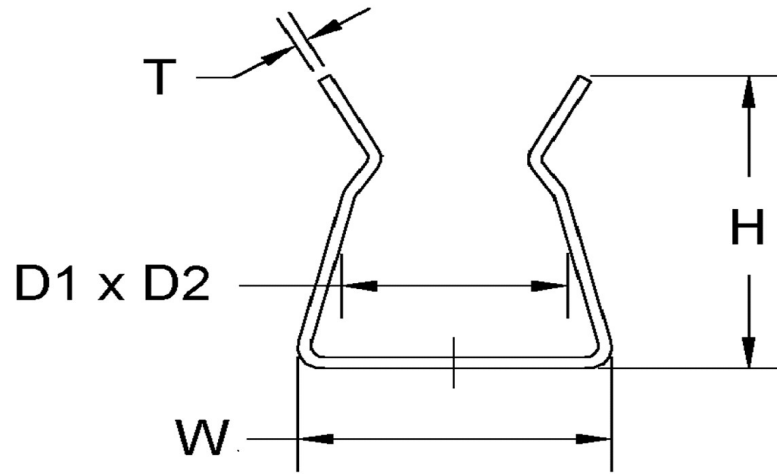


D1+/-0.015	D2+/-0.015	L+/-0.01	T (Stk)+/-0.002	H (Max)	W (Base Max)	E+/-0.003
0.187	0.350	0.216	0.013	0.422	0.391	0.116



ALL DIMENSIONS ARE TO BE MEASURED WITH THE SPRING CLIP SECURED TO A FLAT SURFACE AND A COMPONENT OF THE NOMINAL DIAMETER IN PLACE.



SEASTROM MANUFACTURING CO., INC.  
456 SEASTROM STREET  
TWIN FALLS, IDAHO 83301  
(208) 737-4300 FAX (208) 734-7222

ALL INFORMATION  
COPYRIGHTED BY  
SEASTROM MFG. ©

PART NO.: 4505-18X35-21-2-N

PART NAME: Spring Clips 14

MATERIAL: Spring Steel

HEAT TREAT: Please refer to Material & Finish Specifications in Engineering Resources

FINISH: Nickel (All Dimensions Are Prior To Plating)

Dimensions in Inches