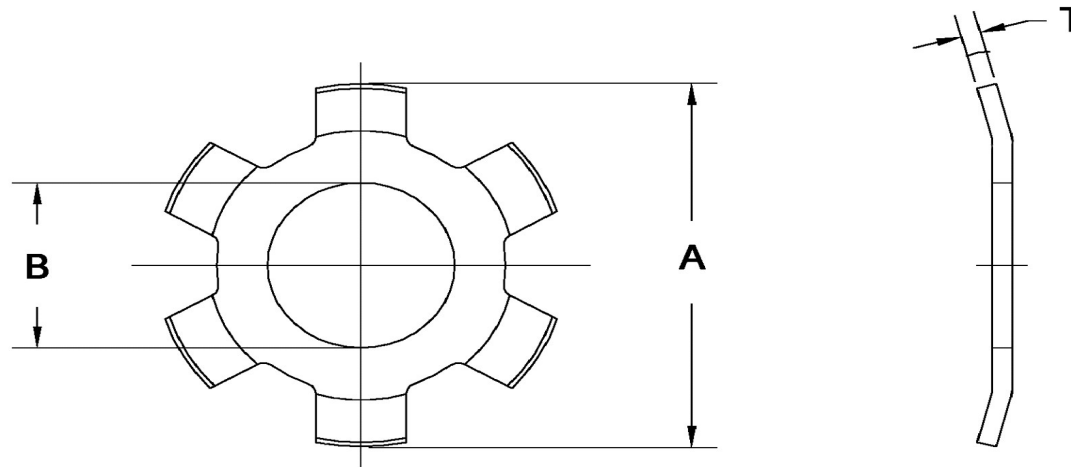


Design Hole Size $\pm$ -.002	A $\pm$ -.005	B $\pm$ -.01	T $\pm$ -.001	# Of Tabs
0.500	0.512	0.250	0.012	8



Dimensions in Inches



SEASTROM MANUFACTURING CO., INC.  
 456 SEASTROM STREET  
 TWIN FALLS, IDAHO 83301  
 (208) 737-4300 FAX (208) 734-7222

ALL INFORMATION  
 COPYRIGHTED BY  
 SEASTROM MFG. ©

<b>PART NO.:</b>	2715-3
<b>PART NAME:</b>	Washers, Retention, External
<b>MATERIAL:</b>	Spring Steel
<b>HEAT TREAT:</b>	Please refer to Material & Finish Specifications in Engineering Resources
<b>FINISH:</b>	Zinc Type III (All Dimensions Are Prior To Plating)