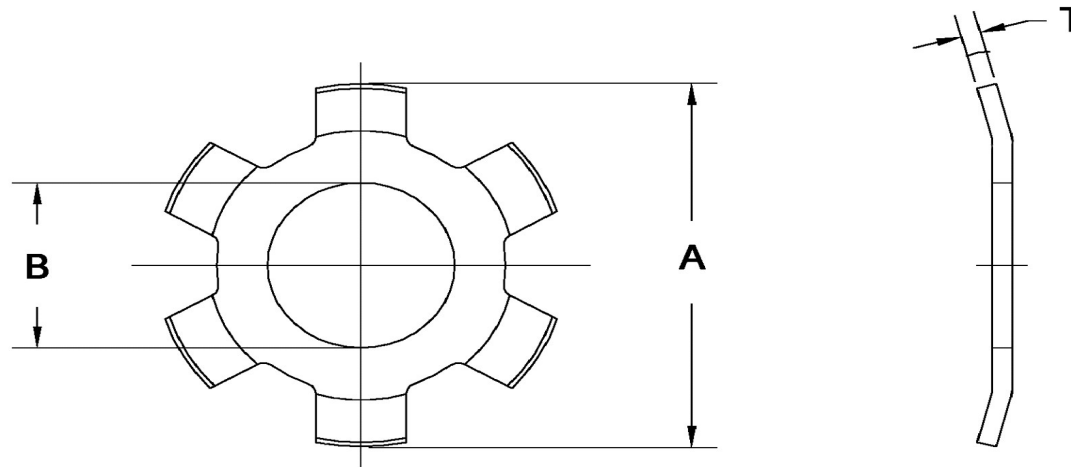


Design Hole Size \pm -.002	A \pm -.005	B \pm -.01	T \pm -.001	# Of Tabs
0.250	0.258	0.062	0.010	6



Dimensions in Inches



SEASTROM MANUFACTURING CO., INC.
 456 SEASTROM STREET
 TWIN FALLS, IDAHO 83301
 (208) 737-4300 FAX (208) 734-7222

ALL INFORMATION
 COPYRIGHTED BY
 SEASTROM MFG. ©

PART NO.:	2715-1
PART NAME:	Washers, Retention, External
MATERIAL:	Spring Steel
HEAT TREAT:	Please refer to Material & Finish Specifications in Engineering Resources
FINISH:	Zinc Type III (All Dimensions Are Prior To Plating)