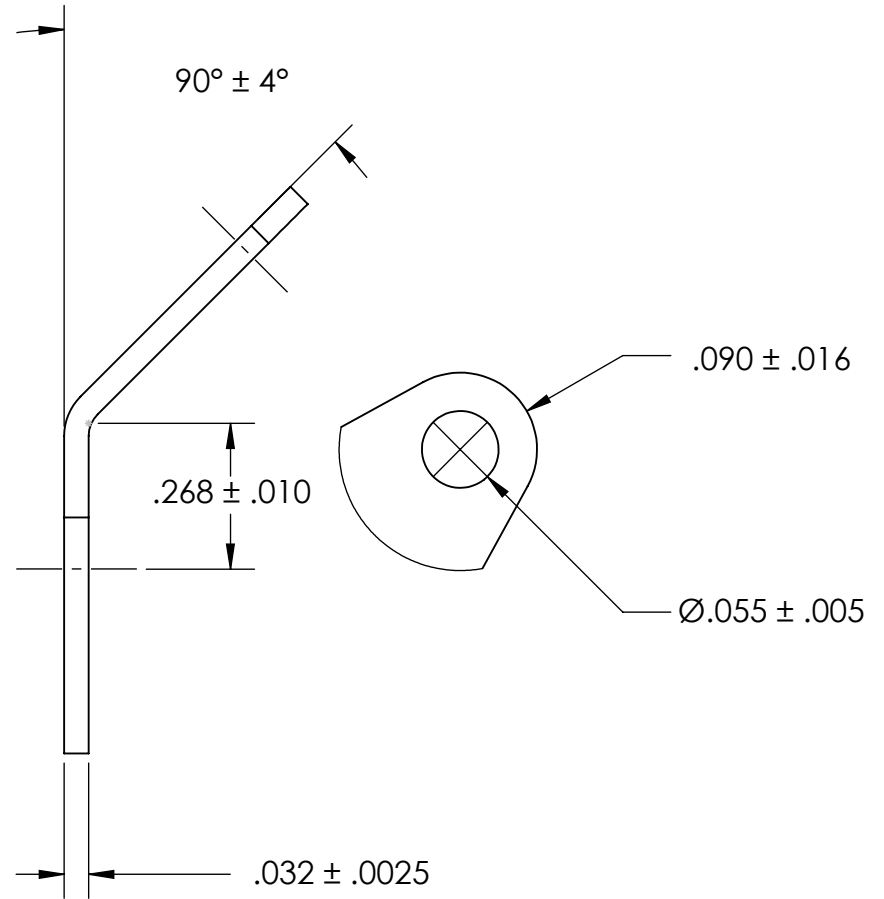
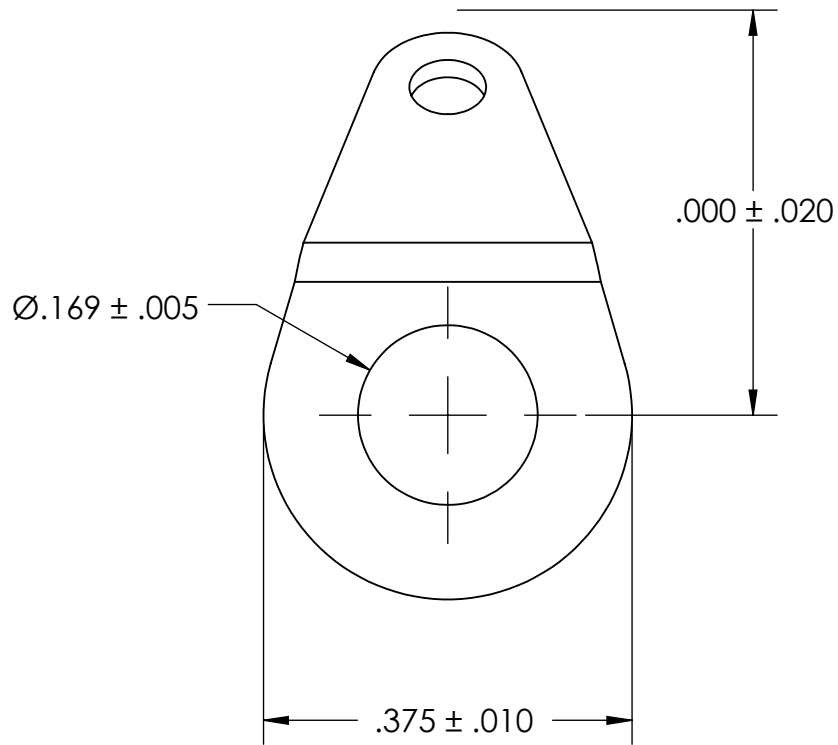


REFERENCE SEASTROM WORKMANSHIP STD. 8.4.1.W2



NOTES:
1. NONE

PROPRIETARY AND CONFIDENTIAL
THE INFORMATION CONTAINED IN THIS DRAWING IS THE SOLE PROPERTY OF SEASTROM MANUFACTURING. ANY REPRODUCTION IN PART OR AS A WHOLE WITHOUT THE WRITTEN PERMISSION OF SEASTROM MANUFACTURING IS PROHIBITED.

| | | | | |
|--|-----------|------|------|---|
| DIMENSIONS ARE IN INCHES TOLERANCES: FRACTIONAL ± 1/32 ANGULAR: MACH ± 1/2 Deg TWO PLACE DECIMAL ± .01 THREE PLACE DECIMAL ± .005 | | NAME | DATE | SEASTROM MFG RETAINING WASHER |
| | DRAWN | | | |
| | CHECKED | | | |
| | ENG APPR. | | | |
| | MFG APPR. | | | |
| MATERIAL ALUMINUM | Q.A. | | | SIZE A DWG. NO. 5759-11 REV. - |
| FINISH SEE NOTE 1 | COMMENTS: | | | |
| DRAWING IS NOT TO SCALE | | | | SHEET 1 OF 1 |