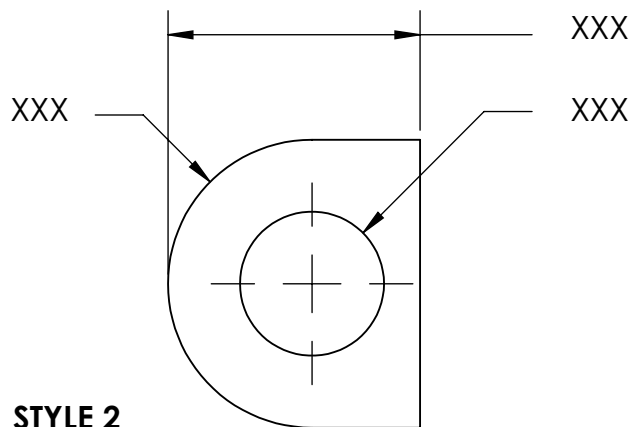
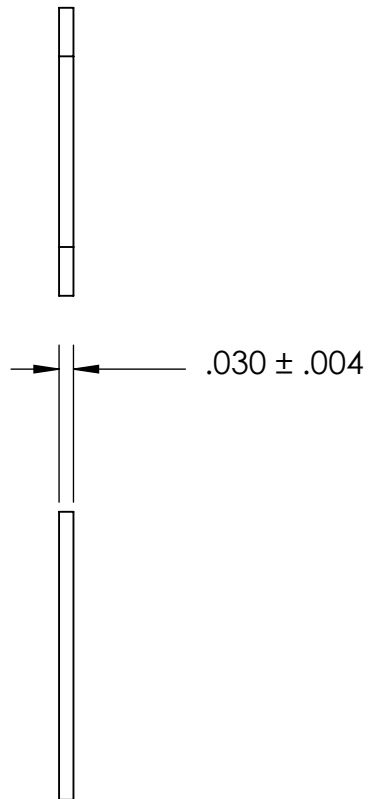


STYLE 1



STYLE 2



NOTES:

1. NONE
2. STYLE 1

PROPRIETARY AND CONFIDENTIAL
 THE INFORMATION CONTAINED IN THIS DRAWING IS THE SOLE PROPERTY OF SEASTROM MANUFACTURING. ANY REPRODUCTION IN PART OR AS A WHOLE WITHOUT THE WRITTEN PERMISSION OF SEASTROM MANUFACTURING IS PROHIBITED.

DIMENSIONS ARE IN INCHES TOLERANCES: FRACTIONAL $\pm 1/32$ ANGULAR: MACH $\pm 1/2$ Deg TWO PLACE DECIMAL $\pm .01$ THREE PLACE DECIMAL $\pm .005$		NAME	DATE	SEASTROM MFG
MATERIAL	FINISH	COMMENTS:		
300 SERIES STAINLESS	SEE NOTE 1	DRAWN	CHECKED	CLIPPED WASHER
		ENG APPR.	MFG APPR.	
		Q.A.		
DRAWING IS NOT TO SCALE		SIZE	DWG. NO.	REV.
		A	5734-22-SS	-
				SHEET 1 OF 1