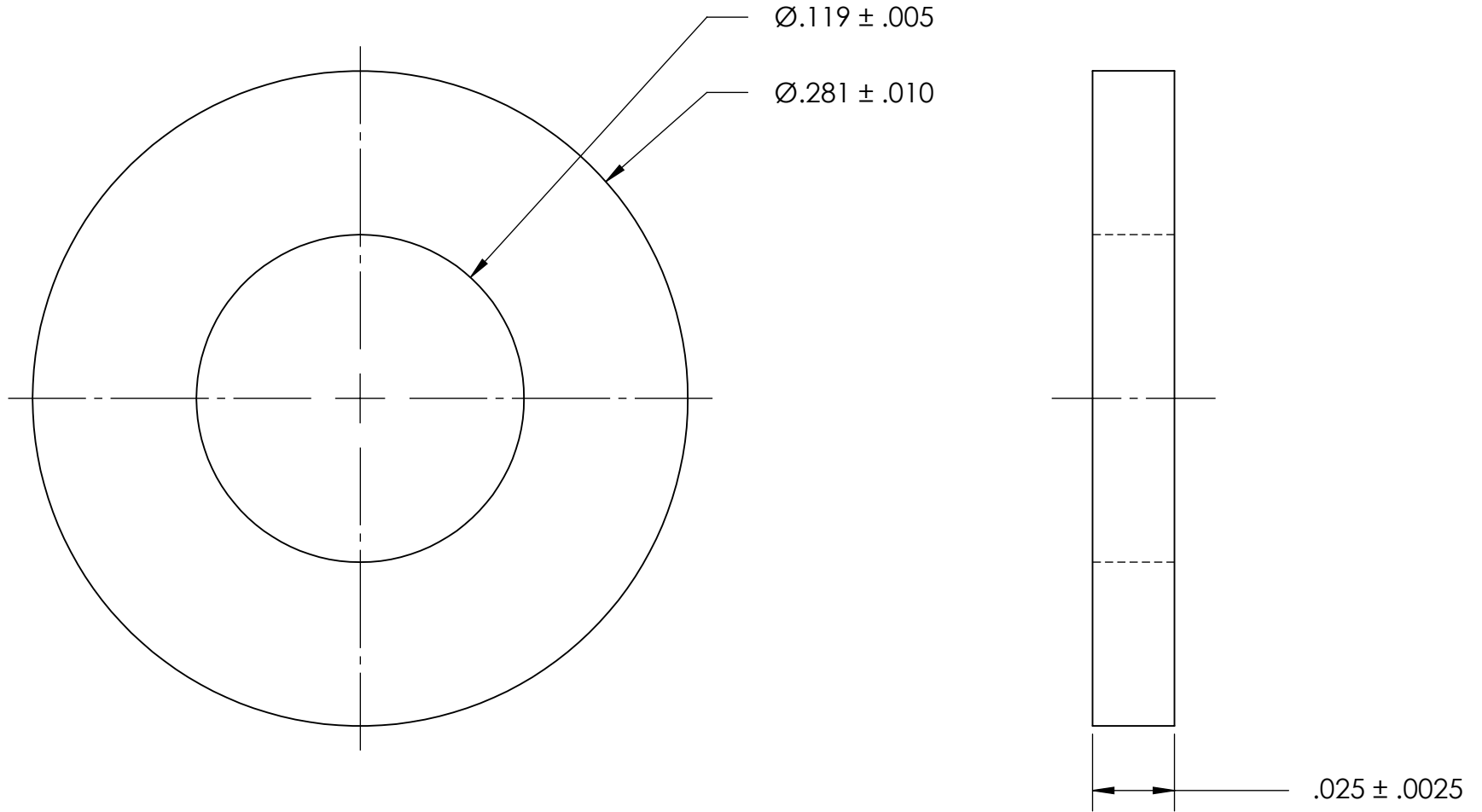


REFERENCE SEASTROM WORKMANSHIP STD. 8.4.1.W2



NOTES  
1. NONE

**PROPRIETARY AND CONFIDENTIAL**  
THE INFORMATION CONTAINED IN THIS DRAWING IS THE SOLE PROPERTY OF SEASTROM MANUFACTURING. ANY REPRODUCTION IN PART OR AS A WHOLE WITHOUT THE WRITTEN PERMISSION OF SEASTROM MANUFACTURING IS PROHIBITED.

DIMENSIONS ARE IN INCHES TOLERANCES: FRACTIONAL $\pm 1/32$ ANGULAR: MACH $\pm 1/2$ Deg TWO PLACE DECIMAL $\pm .01$ THREE PLACE DECIMAL $\pm .005$		NAME	DATE	<b>SEASTROM MFG</b>  FLAT ROUND WASHER
	DRAWN			
	CHECKED			
	ENG APPR.			
	MFG APPR.			
	Q.A.			
MATERIAL <b>ALUMINUM</b>	COMMENTS:			
FINISH <b>SEE NOTE 1</b>				
DRAWING IS NOT TO SCALE				SIZE <b>A</b> DWG. NO. <b>5712-299-25</b> REV. <b>-</b>
				SHEET 1 OF 1