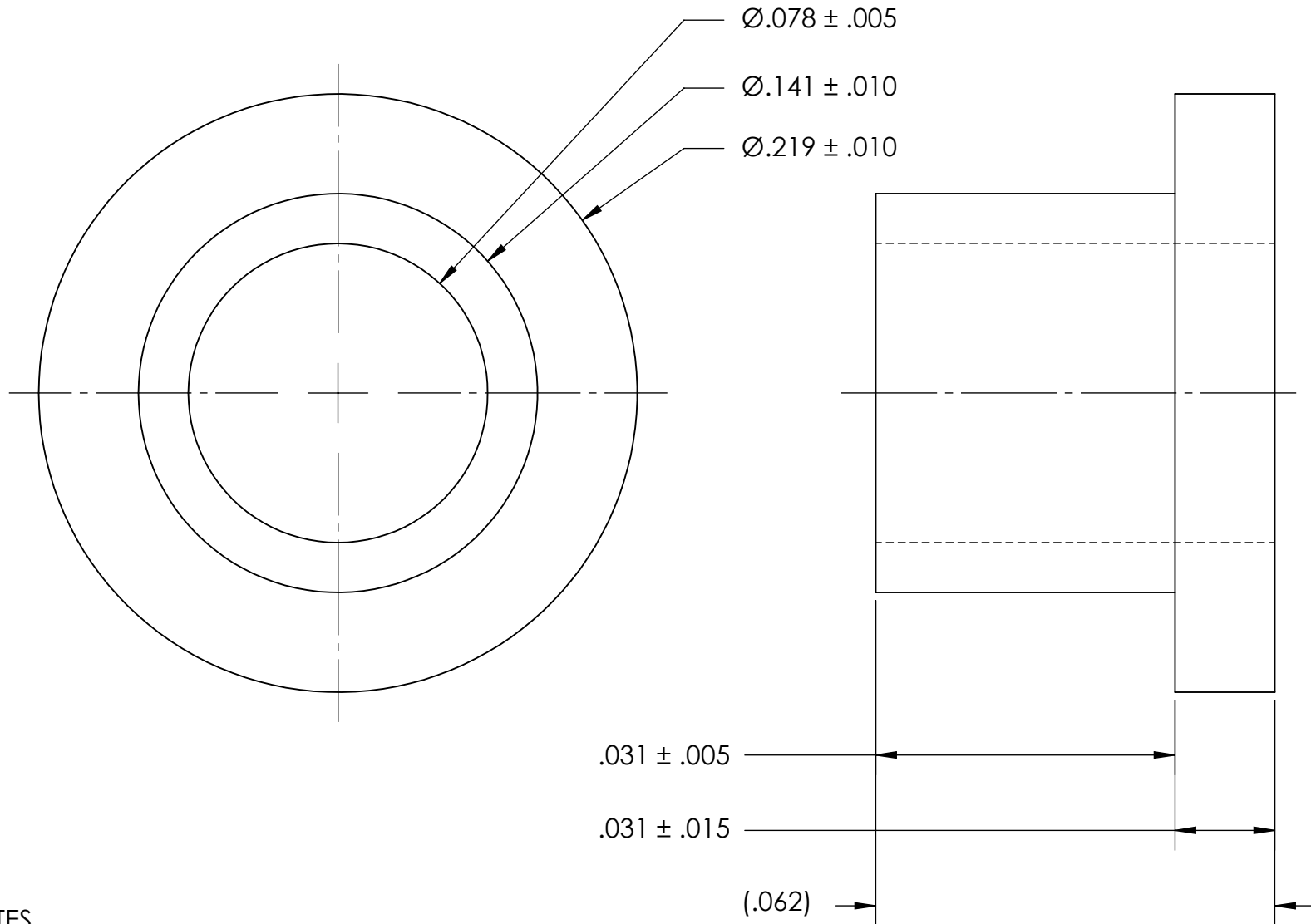


REFERENCE SEASTROM WORKMANSHIP STD. 8.4.1.W2



NOTES
1. NONE

2. R.010 MAX RADII OR CHAMFER FOR ALL CORNERS (6X)

PROPRIETARY AND CONFIDENTIAL
THE INFORMATION CONTAINED IN THIS DRAWING IS THE SOLE PROPERTY OF SEASTROM MANUFACTURING. ANY REPRODUCTION IN PART OR AS A WHOLE WITHOUT THE WRITTEN PERMISSION OF SEASTROM MANUFACTURING IS PROHIBITED.

DIMENSIONS ARE IN INCHES TOLERANCES: FRACTIONAL $\pm 1/32$ ANGULAR: MACH $\pm 1/2$ Deg TWO PLACE DECIMAL $\pm .01$ THREE PLACE DECIMAL $\pm .005$	NAME	DATE	SEASTROM MFG SHOULDER WASHER
	DRAWN		
	CHECKED		
	ENG APPR.		
	MFG APPR.		
MATERIAL	COMMENTS:		SIZE DWG. NO. REV. A 5604-1 -
FINISH			
SEE NOTE 1			
DRAWING IS NOT TO SCALE			SHEET 1 OF 1