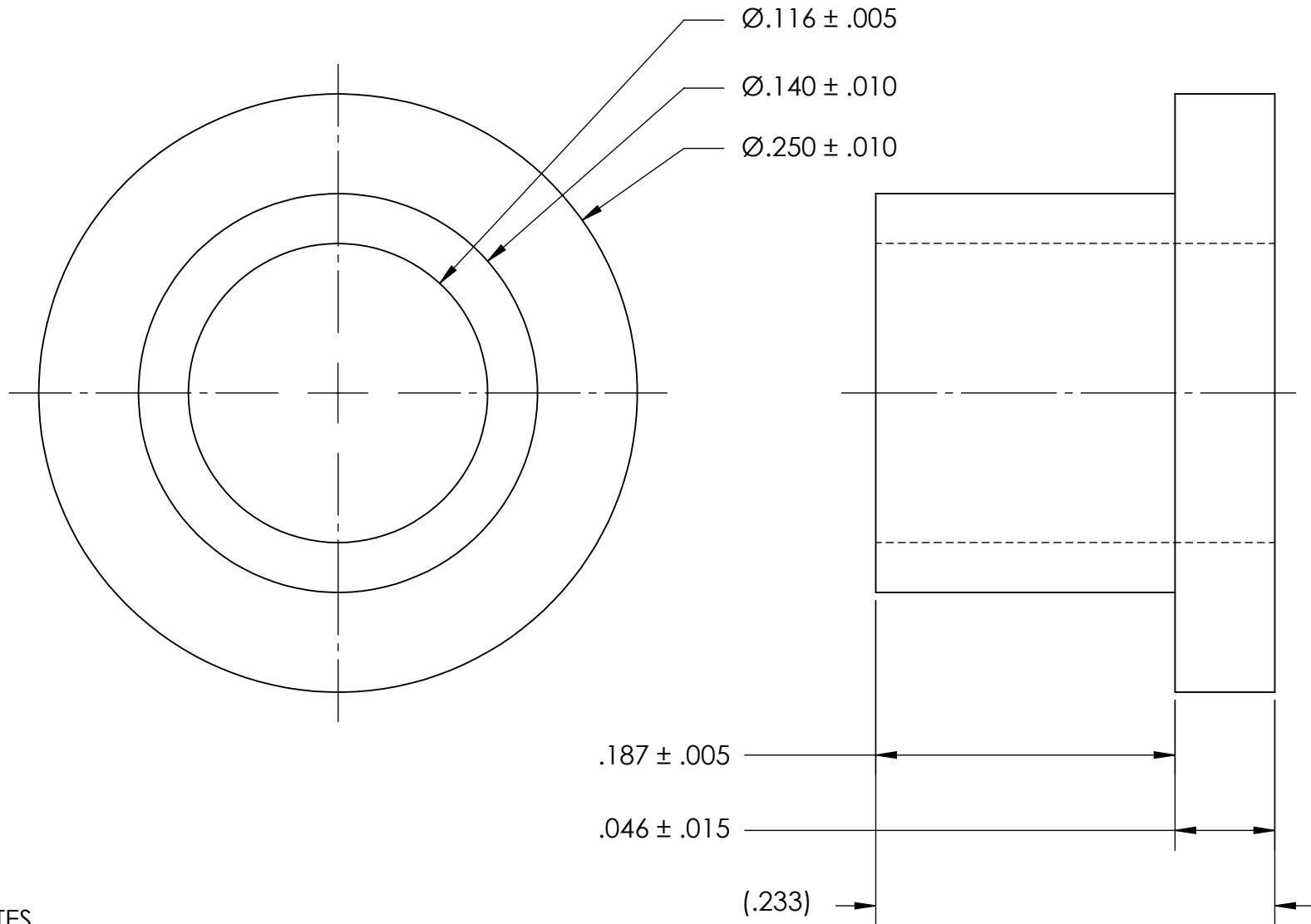


REFERENCE SEASTROM WORKMANSHIP STD. 8.4.1.W2



NOTES
1. NONE

2. R.010 MAX RADII OR CHAMFER FOR ALL CORNERS (6X)

PROPRIETARY AND CONFIDENTIAL
THE INFORMATION CONTAINED IN THIS DRAWING IS THE SOLE PROPERTY OF SEASTROM MANUFACTURING. ANY REPRODUCTION IN PART OR AS A WHOLE WITHOUT THE WRITTEN PERMISSION OF SEASTROM MANUFACTURING IS PROHIBITED.

DIMENSIONS ARE IN INCHES TOLERANCES: FRACTIONAL $\pm 1/32$ ANGULAR: MACH $\pm 1/2$ Deg TWO PLACE DECIMAL $\pm .01$ THREE PLACE DECIMAL $\pm .005$	NAME	DATE	SEASTROM MFG	
	DRAWN			
	CHECKED		SHOULDER WASHER	
	ENG APPR.			
	MFG APPR.			
	Q.A.			
COMMENTS:				SIZE A DWG. NO. 5603-15 REV. -
MATERIAL FIBERGLASS				
FINISH SEE NOTE 1				
DRAWING IS NOT TO SCALE				SHEET 1 OF 1