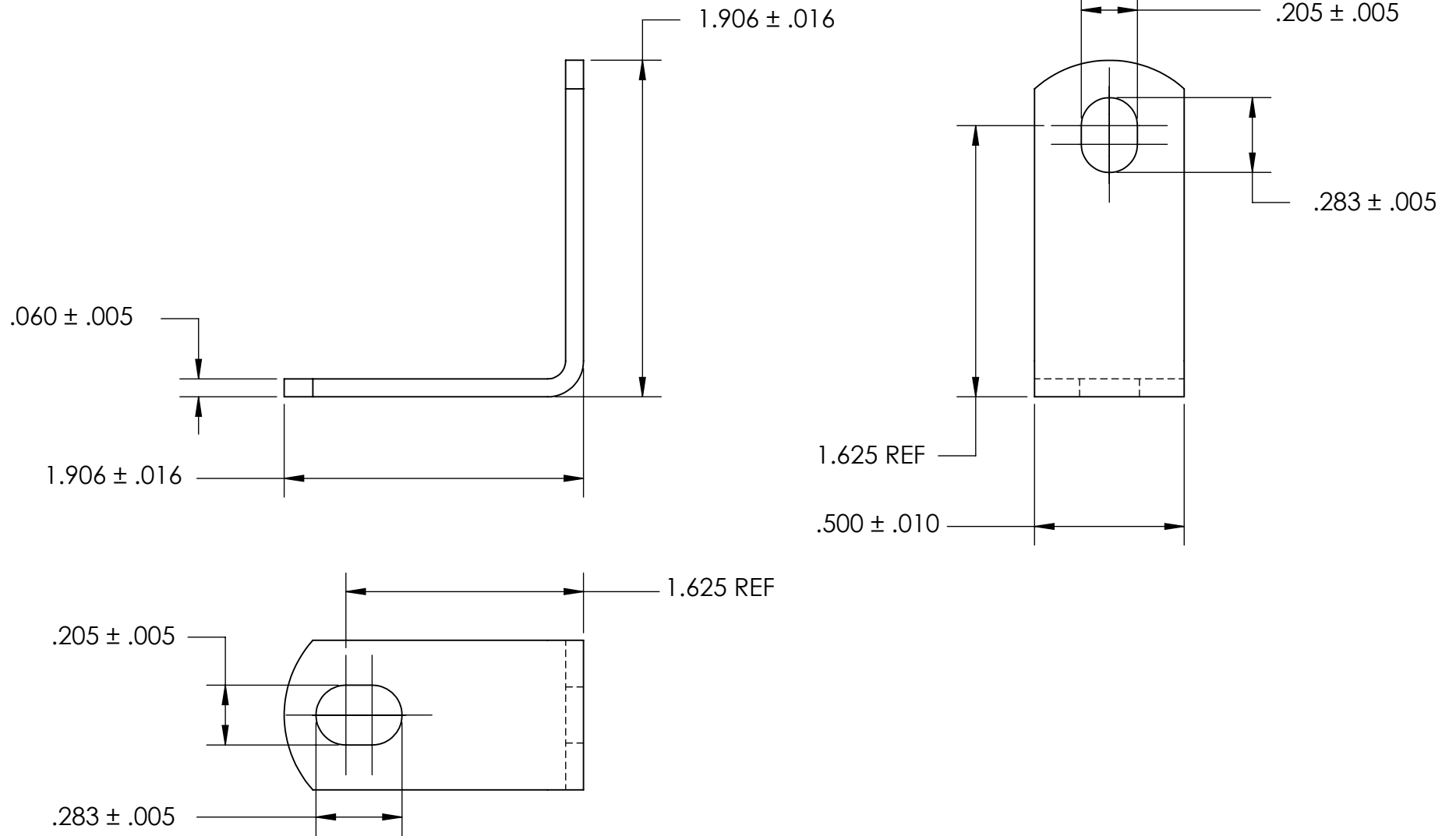


REFERENCE SEASTROM WORKMANSHIP STD. 8.4.1.W2



- NOTES
 1. NONE
 2. SCREW SIZE: 10

PROPRIETARY AND CONFIDENTIAL
 THE INFORMATION CONTAINED IN THIS DRAWING IS THE SOLE PROPERTY OF SEASTROM MANUFACTURING. ANY REPRODUCTION IN PART OR AS A WHOLE WITHOUT THE WRITTEN PERMISSION OF SEASTROM MANUFACTURING IS PROHIBITED.

DIMENSIONS ARE IN INCHES TOLERANCES: FRACTIONAL $\pm 1/32$ ANGULAR: MACH $\pm 1/2$ Deg TWO PLACE DECIMAL $\pm .01$ THREE PLACE DECIMAL $\pm .005$		NAME	DATE	SEASTROM MFG
MATERIAL COLD ROLLED STEEL	FINISH SEE NOTE 1	DRAWN		
DRAWING IS NOT TO SCALE		CHECKED		ANGLE BRACKET
		ENG APPR.		
Q.A.		MFG APPR.		
		COMMENTS:		
SIZE A	DWG. NO. 4929-27	REV. -	SHEET 1 OF 1	