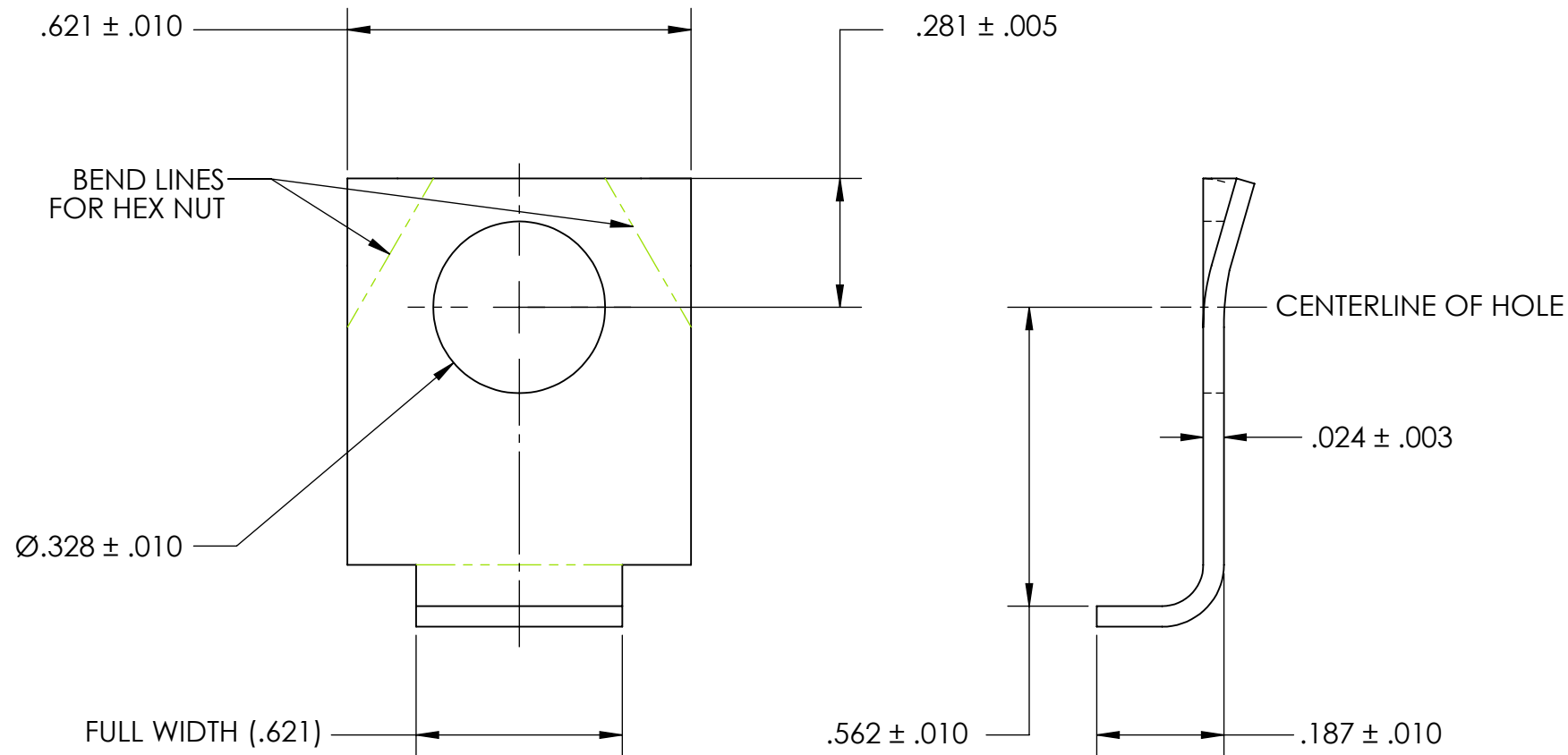


REFERENCE SEASTROM WORKMANSHIP STD. 8.4.1.W2



NOTES

1. NONE
2. SCREW SIZE: 5/16 / M8

**PROPRIETARY AND CONFIDENTIAL**

THE INFORMATION CONTAINED IN THIS DRAWING IS THE SOLE PROPERTY OF SEASTROM MANUFACTURING. ANY REPRODUCTION IN PART OR AS A WHOLE WITHOUT THE WRITTEN PERMISSION OF SEASTROM MANUFACTURING IS PROHIBITED.

|  |           |      |  |
|--|-----------|------|--|
| DIMENSIONS ARE IN INCHES<br>TOLERANCES:<br>FRACTIONAL $\pm 1/32$<br>ANGULAR: MACH $\pm 1/2$ Deg<br>TWO PLACE DECIMAL $\pm .01$<br>THREE PLACE DECIMAL $\pm .005$ | NAME      | DATE | SEASTROM MFG<br><br>TAB LOCK WASHER          |
|  | DRAWN     |      |  |
|  | CHECKED   |      |  |
|  | ENG APPR. |      |  |
|  | MFG APPR. |      |  |
| MATERIAL   | COMMENTS: |      | SIZE DWG. NO. REV.<br><b>A</b> 5749-16-2-2 - |
| FINISH   |           |      |  |
| SEE NOTE 1   |           |      |  |
| DRAWING IS NOT TO SCALE  |           |      | SHEET 1 OF 1                                 |