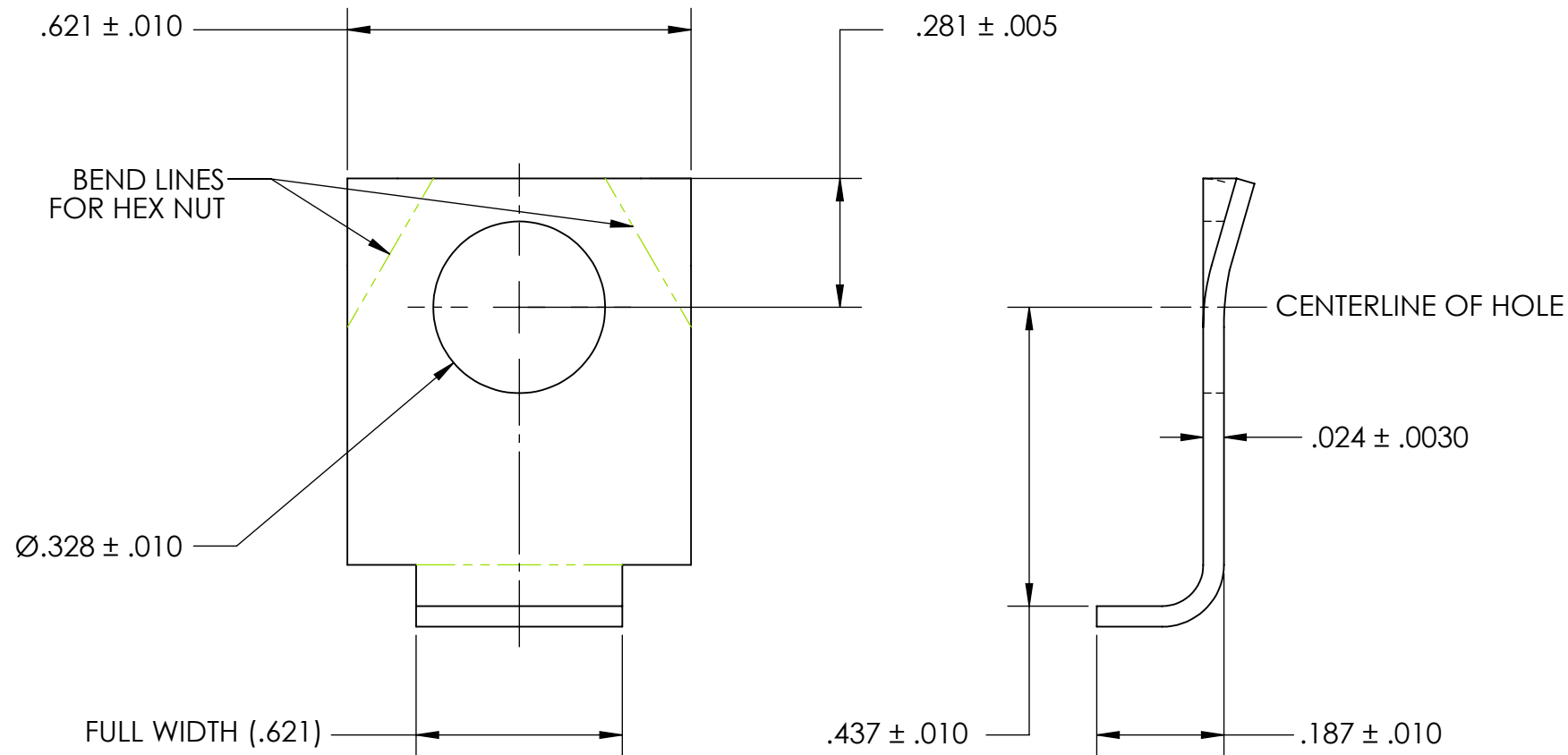


REFERENCE SEASTROM WORKMANSHIP STD. 8.4.1.W2



NOTES

1. NONE
2. SCREW SIZE: 5/16 / M8

PROPRIETARY AND CONFIDENTIAL
 THE INFORMATION CONTAINED IN THIS DRAWING IS THE SOLE PROPERTY OF SEASTROM MANUFACTURING. ANY REPRODUCTION IN PART OR AS A WHOLE WITHOUT THE WRITTEN PERMISSION OF SEASTROM MANUFACTURING IS PROHIBITED.

DIMENSIONS ARE IN INCHES TOLERANCES: FRACTIONAL $\pm 1/32$ ANGULAR: MACH $\pm 1/2$ Deg TWO PLACE DECIMAL $\pm .01$ THREE PLACE DECIMAL $\pm .005$	NAME	DATE	SEASTROM MFG TAB LOCK WASHER
	DRAWN		
	CHECKED		
	ENG APPR.		
	MFG APPR.		
	Q.A.		
MATERIAL	COMMENTS:		
COLD ROLLED STEEL			
FINISH			
SEE NOTE 1			
DRAWING IS NOT TO SCALE	SIZE	DWG. NO.	REV.
	A	5749-16-1-1	-
			SHEET 1 OF 1